



HEALTHCARE

PRODUCT GUIDE

CELEBRATING OVER 35 YEARS OF EXCELLENCE



PRIVACY CURTAINS
& BEDSPREADS



STAFF APPAREL
& SCRUBS



REUSABLE BRIEFS
AND UNDERPADS



COMPLETE
LINEN & TERRY

INDEX

| | |
|---------------------------|--------|
| Bariatric Sheets | 4 |
| Basket Trucks | 15 |
| Bath Towels | 3 |
| Bedspreads | 6-7 |
| Bibs, Adult..... | 11 |
| Blankets..... | 5 |
| Build-a-Bed..... | 7 |
| Cart Covers..... | 15 |
| Chefware..... | 17 |
| Diapers, Reusable | 10 |
| Dietary | 16 |
| Disposable Products..... | 18 |
| Gloves, Latex..... | 18 |
| Incontinent Products..... | 10 |
| Laundry Bags..... | 14 |
| Material Handling | 15 |
| Mattress Protection..... | 9 |
| Micro Fiber | |
| Cleaning Cloth | 17 |
| Paper Supplies | 18 |
| Patient Gowns | 12, 13 |
| Pillows | 9 |
| Pillow Protectors..... | 9 |
| Placemats..... | 17 |
| Privacy Curtains..... | 8 |
| Scrubwear..... | 12, 13 |
| Sheets | 4 |
| Staff Apparel..... | 12, 13 |
| Table Linen..... | 16 |
| Thermal Blankets | 5 |
| Thermal Spreads..... | 5 |
| Toilet Tissue..... | 18 |
| Trash Liners | 18 |
| Underpads | 10 |
| Wipes, Disposable | 18 |



Celebrating over 35 years of sustained excellence!

Since 1987, Star Linen USA has proudly provided quality terry, bedding, amenities, appliances, table linen, paper products and much more to the hospitality, healthcare and food service industries throughout the world. Our commitment to the community, our customers, and the environment is a key part of our company philosophy. We aim to provide ethical, economical, and high-quality products to our customers worldwide.

MISSION

We here at Star Linen USA strive to ensure the world sleeps better, dines better, and enjoys greater comfort by enhancing our customers' customer experience.

VISION

To provide the best quality products and deliver exceptional customer service, we will focus on exceeding expectations and inspiring your endorsement within the industry and the countries we supply.

VALUES

Star Linen USA is committed to embodying the core values of **dependability, efficiency, loyalty, and teamwork** in order to provide the world-class customer experience that you deserve.

QUICK SHIP NETWORK

Our distribution centers are strategically located throughout the USA to provide you with the fastest service possible. Our warehouses in NJ, NC, FL, TX and CA are stocked and prepared to get you the items you need, when you need them.



QUICK SHIP NETWORK
★ Distribution Points ★

CONTACT US

ONLINE

www.starlinen.com
salesinfo@starlinen.com



@StarLinenUSA

CORPORATE HQ

1501 Lancer Drive
Moorestown, NJ 08057
Phone: 800-782-7999
Fax: 856-231-9050

FLORIDA OFFICE

2302 Mercator Drive, Ste. 101
Orlando, FL 32807
Phone: 800-431-3278
Fax: 407-855-5988



SERENITY



OPTIMA



SPECTRUM COLORS



GRAND

VALUE – Economy Line

100% cotton-cam border. Excellent quality for cost conscious facilities. Available in white only.

| WHITE Bath | Size | Wt/Dz lbs. |
|------------|---------|------------|
| 11030WH | 20 x 40 | 4.00 |
| 11036WH | 20 x 40 | 4.50 |
| 11042WH | 20 x 40 | 5.00 |
| 11054WH | 22 x 44 | 6.00 |
| 11066WH | 24 x 48 | 7.00 |
| 11079WH | 24 x 48 | 8.00 |
| 11092WH | 24 x 50 | 10.5 |
| Hand | | |
| 11023WH | 16 x 27 | 3.00 |
| Wash | | |
| 11009WH | 12 x 12 | 0.75 |
| 11012WH | 12 x 12 | 1.00 |

RIBBON – Blended Economy

86/14 cam border. Excellent upgrade from economy value line. Available in brilliant, optical white.

| WHITE Bath | Size | Wt/Dz lbs. |
|------------|---------|------------|
| 19006WH | 20 x 40 | 5.50 |
| 19002WH | 22 x 44 | 6.25 |
| 19012WH | 24 x 48 | 8.00 |
| 19013WH | 24 x 50 | 10.00 |
| 19014WH | 27 x 54 | 14.00 |
| Hand | | |
| 19003WH | 16 x 27 | 3.00 |
| Wash | | |
| 19001WH | 12 x 12 | 1.00 |

INNKEEPER – Blended Value

86% cotton, 14% polyester blend – cam border. Economical blended soft and durable. Available in white.

| WHITE Bath | Size | Wt/Dz lbs. |
|------------|---------|------------|
| 37343WH | 24 x 50 | 10.50 |
| 37342WH | 24 x 48 | 8.00 |
| 37341WH | 22 x 44 | 6.50 |
| 37343WH | 20 x 40 | 5.5 |
| Hand | | |
| 37344WH | 16 x 27 | 3.00 |
| Wash | | |
| 37345WH | 12 x 12 | 1.00 |

LEXINGTON – Blended Deluxe

86% cotton, 14% polyester blend – cam border. Our finest quality ring spun cam border collection. Available in white and ecru.

| WHITE Bath | Size | Wt/Dz lbs. |
|------------|---------|------------|
| 19323WH | 20 x 40 | 5.50 |
| 19302WH | 22 x 44 | 6.50 |
| 19301WH | 24 x 48 | 8.00 |
| 19300WH | 24 x 50 | 10.50 |
| Hand | | |
| 19303WH | 16 x 27 | 3.25 |
| Wash | | |
| 19304WH | 12 x 12 | 1.00 |

SERENITY – Value Dobby

100% cotton – dobby border. Luxurious, soft and durable, this collection provides long lasting value.

| WHITE Bath | Size | Wt/Dz lbs. |
|------------|---------|------------|
| 37503WH | 27 x 54 | 17.00 |
| 37504WH | 27 x 50 | 14.00 |
| 37508WH | 24 x 50 | 12.00 |
| Hand | | |
| 37505WH | 16 x 30 | 4.50 |
| 37509WH | 16 x 27 | 3.00 |
| Wash | | |
| 37506WH | 13 x 13 | 1.50 |

GRAND – Deluxe Dobby

100% ring spun cotton – dobby border. A superior quality terry collection.

| WHITE Bath | Size | Wt/Dz lbs. |
|------------|---------|------------|
| 18209WH | 27 x 54 | 17.00 |
| 18213WH | 27 x 54 | 15.00 |
| 18205WH | 27 x 50 | 14.00 |
| Hand | | |
| 18206WH | 16 x 30 | 4.50 |
| Wash | | |
| 18207WH | 13 x 13 | 1.50 |

OPTIMA – Luxury Dobby

Woven from luxury ring spun yarns, constructed from 100% long staple cotton, softened for that sumptuous touch. Our finest terry ensemble. Available in white only.

| WHITE Bath | Size | Wt/Dz lbs. |
|------------|---------|------------|
| 18308WH | 35 x 70 | 21.00 |
| 18309WH | 30 x 60 | 20.00 |
| 18300WH | 27 x 54 | 17.00 |
| 18301WH | 27 x 50 | 14.00 |
| Hand | | |
| 18302WH | 16 x 30 | 5.00 |
| 18303WH | 16 x 30 | 4.50 |
| Wash | | |
| 18304WH | 13 x 13 | 1.75 |
| 18305WH | 13 x 13 | 1.50 |

SPECTRUM COLLECTION – Colors

100% cotton ring spun, available in five colors.

| WHITE Bath | Size | Wt/Dz lbs. |
|------------|---------|------------|
| 18148RC | 20 x 40 | 5.50 |
| 18145RC | 22 x 44 | 6.50 |
| 29002RC | 24 x 48 | 8.00 |
| 29110RC | 24 x 50 | 10.50 |
| Hand | | |
| 18150RC | 16 x 27 | 3.00 |
| Wash | | |
| 18149RC | 12 x 12 | 1.00 |

Color Options: Ecru, French Rose, Blue Mist, Navy Blue, Hunter Green.
Case Packs – 20 x 40 & 22 x 44 – 10 dz, 24 x 48 & 24 x 50 – 5 dz, 16 x 27 – 10 dz, 12 x 12 – 25 dz

**Additional Terry Options Available!
Contact a Star Sales Associate For More Details.**

sheets



ALSO AVAILABLE – T250 AND T300 PERCALE

SOLID COLOR SHEETS

T130 MUSLIN SHEETS — Economy

50/50 cotton/poly blend. Quality product at budget friendly prices.

| | |
|--------------------|-------------|
| Pillowcases | |
| 49270WH | standard |
| Twin Flat Sheets | |
| 49273WH | 66 x 104 |
| 49274WH | 66 x 115 |
| Twin Fitted Sheets | |
| 49275WH | 39 x 75 x 7 |
| 49276WH | 36 x 80 x 7 |
| 49232WH | 36 x 84 x 9 |
| Draw Sheets | |
| 49212WH | 42 x 72 |
| 49216WH | 54 x 72 |
| 49217WH | 54 x 81 |

Case pack — pillowcases 6 dz., sheets 2 dz.

BARIATRIC FITTED SHEETS

HealthMesh® LS, 50/50 poly cotton blend.

| | |
|---------|--------------|
| 99737WH | 42 x 82 x 14 |
| 99735WH | 42 x 84 x 14 |
| 99733WH | 42 x 88 x 14 |
| 99697WH | 48 x 82 x 14 |

Available in white and color.

*Many other bariatric sheet selections available.

T180 ELEGANCE

60/40 cotton/poly blend. Blended construction, long lasting wear and a soft feel.

| | |
|--------------|----------------------|
| Pillowcases | |
| 74000WH | standard 42 x 34 |
| 74001WH | standard 42 x 36 |
| Flat Sheets | |
| 74003WH | twin 66 x 104 |
| 74005WH | twin XL 66 x 115 |
| 74006WH | full 81 x 104 |
| 74007WH | full XL 81 x 108 |
| Fitted Sheet | |
| 74017WH | twin 39 x 80 x 9 |
| 74014WH | full XL 54 x 80 x 12 |
| Draw Sheet | |
| 72716WH | standard 54 x 72 |

Case pack — pillowcases 6 dz., sheets 2 dz.

T180 SOLID COLOR SHEETS

Made in the USA. Sheets are 50/50 cotton/poly.

| | |
|---------------|--------------|
| Pillowcases | |
| 72704RC | 42 x 36 |
| Flat Sheets | |
| 72740RC | 66 x 104 |
| 72764RC | 81 x 108 |
| Fitted Sheets | |
| 72741RC | 36 x 80 x 9 |
| 72729RC | 39 x 80 x 9 |
| 72765RC | 54 x 75 x 12 |

Case pack — pillowcases 6 dz., sheets 2 dz.

Colors: bone, blue, seafoam

T200 ELEGANCE

60/40 cotton/poly blend. Our exclusive T200 blended construction with deep pockets provides an upgrade from our T180 collection. Available in white.

| | |
|---------------|----------------------|
| Pillowcases | |
| 74019WH | standard 42 x 36 |
| Flat Sheets | |
| 74022WH | twin 66 x 115 |
| 74023WH | full 81 x 108 |
| 74024WH | full 81 x 115 |
| Fitted Sheets | |
| 74029WH | twin XL 39 x 80 x 12 |
| 74030WH | full 54 x 80 x 12 |

Case pack — pillowcases 6 dz., sheets 2 dz.

KNITTED FITTED SHEETS — White

For the ultimate in comfort, these 50/50 knit sheets feel soft to the touch. Comfort, value, and low cost per use.

| | |
|---------|-------------|
| White | |
| 99702NC | twin 15 oz. |
| 99703NC | twin 19 oz. |
| 99704NC | twin 21 oz. |

KNITTED FITTED SHEETS — Solid Color

HealthMesh® LS patented 18 oz. cotton/poly "no-run" construction. Soft hand and economical to launder. Available in super-fast colors.

| | |
|---------|--------------------------|
| 99714XX | twin fitted 36 x 81 x 12 |
|---------|--------------------------|

Colors: white, bone, mist blue, seafoam green



NEWPORT



SHEFFIELD



RIBCORD



BATH BLANKET - BLEACHED



BATH BLANKET - UNBLEACHED



WINCHESTER



SERENITY



NEW BEDFORD



MANCHESTER



SANTA GRACE

THERMAL BLANKETS

THERMAL BLANKET

Pure 100% cotton for traditional durability and comfort.

Economy Leno Weave
99619WH 66 x 90 2.0# White

Snag Free
99705NC 66 x 90 2.5# White

Case pack – 12 each

NEWPORT

100% cotton, loom woven snag-less thermal. Block pattern, hemmed with double-needle stitching, vat-dyed and pre-shrunk.

99617WH 66 x 90 3# White
99617RC 66 x 90 3# Colors

Colors: champagne, blue, eucalyptus, mauve
Case pack – 12 each

BATH BLANKET

Made from fine quality yarn, our bath blankets are durable yet economical. Bath blankets are properly raised on both sides to give comfortable feel and are highly absorbent.

95319NC 70 x 90 1.4# Unbleached
Case pack – 12 each

95394NC 70x90 1.75# Bleached
Case pack – 36 each

THERMAL SPREAD BLANKETS

NEW BEDFORD

Snag-less thermal bedspread blanket, 100% cotton with onion pattern.

80039WH 74 x 96 3.5# White
80039RC 74 x 96 3.5# Colors

Colors: blue, champagne, green
Case pack – 12 each

SHEFFIELD

100% cotton.

80023WH 74 x 96 3.9# White
80023RC 74 x 96 3.9# Colors
80039WH 74 x 108 4.3# White
80039RC 74 x 108 4.3# Colors

Colors: champagne, blue, raspberry, teal
Case pack – 12 each

WINCHESTER by Cotton Craft

55% cotton/45% polyester with block pattern.

80022WH 74 x 96 3.5# White
80022RC 74 x 96 3.5# Colors

Colors: blue, champagne, green
Case pack – 12 each

MANCHESTER

55% Cotton/45% Poly

80064WH 74 x 96 3.4# White
80064RC 74 x 96 3.4# Colors
80088WH 74 x 108 3.9# White
80088RC 74 x 108 3.9# Colors

Colors: champagne, raspberry, blue, teal
Case pack – 12 each

BEDSPREADS

RIBCORD BEDSPREAD

55% Cotton 45% Polyester blended for greater durability and quicker drying time. Square Corners. Vat dyed for color fastness. Colors resistant to fading especially in harsh institutional environments
Machine wash, tumble dry.

80121RC Twin Size 76 x 110

Colors: royal blue, wedgewood blue, raspberry, sage, beige, hunter green, rose, white

Case pack – 12 each

BLANKETS - HOSPITALITY

SERENITY FLEECE

100% spun polyester fleece blanket with anti-pill finish and double needle self hem. 9oz per sq. yd. Available in Tan, Ivory and Blue.

80127XX Twin 66 x 90
80128XX Full 80 x 90
80129XX Queen 90 x 90
80130XX King 108 x 90

Case pack – 4 each

SANTA GRACE

Heavyweight 100% cotton honeycomb weave luxury blanket, tightly woven to reduce snags.

81058XX Twin 66 x 90
81059XX Full 80 x 90
81060XX Queen 90 x 90
81061XX King 108 x 90

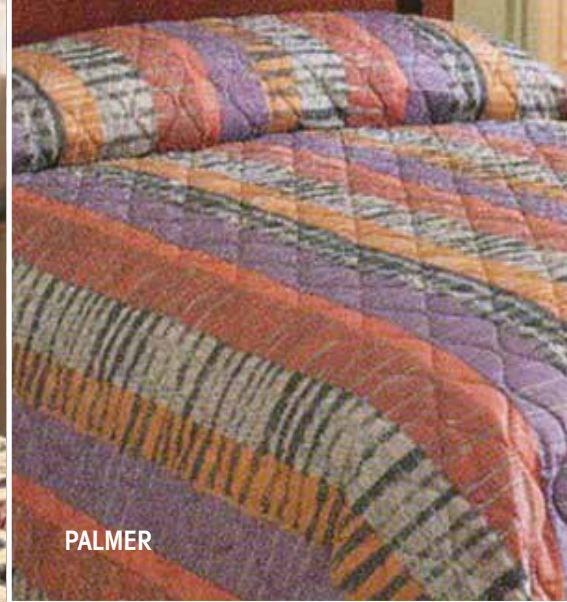
Colors: white and ivory

Case pack – 4 each

bedspreads



HOME TERRACE



PALMER



SOLIDS

MARTEX COLLECTION Mainspread Quilted — 70/30 blend

Features 100% bonded polyester 5 oz fill. Poly/cotton blend, conventional stitching and lock stitched hems. Throw and fitted styles available.

Pattern Codes

| | |
|---------|-----------------|
| 81299XX | Palmer |
| 81326XX | Solids (colors) |
| 81328XX | Home Terrace |
| 81320XX | Vienna Green |
| 81318XX | Vienna Chianti |

*Call for color swatches.

SOLID AVAILABLE IN THESE COLORS:



VIENNA — Green

PERMA-RIB BEDSPREAD by JS Fiber

100% dull finish polyester, flame retardant, stain resistant, colorfast, durable, and wrinkle-free.

QUILTED AND UNQUILTED

| | |
|---------|---------------|
| 81309XX | twin |
| 81468XX | institutional |

Colors: rose, mauve, seafoam, dark blue, light blue, sand, hunter green, peach

*Call for color swatches.



PERMARIB



VIENNA — Chianti

*Many other bedspread options and styles available. Also available in fitted style.

BUILD-A-BED MartexRx

by Westpoint Hospitality
 Build your perfect guest room with MartexRx.
 Ready to get started? Contact a sales associate, and start building today!



MartexRx is a custom bedding program where you are the designer and we fabricate to your specifications. We offer various bed components in an array of complementary fashion prints and colors. Upon receipt of your order, we will expedite fabrication in our US manufacturing facility. The product is then shipped to your door.

Step 1: Select your Bed Component

| | | | | | | | |
|------------------------------------|------------------------------------|---------------------------------------|---|---|--|---|--|
| | | | | | | | |
| Bedsread | Comforter | Coverlet | Top Sheet | Bedskirt | Box Spring Wrap | Sham | Bed Scarf |
| T130 Fabric 70P/30C | T130 Fabric 70P/30C | T130 Fabric 70P/30C | T130 Fabric 70P/30C | T130 Fabric 70P/30C | T130 Fabric 70P/30C | T130 Fabric 70P/30C | T130 Fabric 70P/30C |
| 4 oz EcoPure® Fill 1" Hem | 6 oz EcoPure® Fill Knife Edge | 3 oz EcoPure® Fill Self Bound Edge | 2"x2" End Hems 1/2" Side Hems Oversized Cut | 15" Drop, Tailored Split Corners Woven Platform | Bedskirt Alternative Fits 9" Box Spring Elastic Top/Bottom | 1.5" Self Flange European Closure Center 4" Overlap | 3 oz EcoPure® Fill Diamond Quilt Self Bound Edge |
| White Back Fabric 1 each/carton | Self Back Fabric* 1 each/carton | Self Back Fabric* 4 each/carton | 12 each/carton | 12 each/carton | 12 each/carton | 24-24-20 ea/ctn | 4 each/carton |

| | | | | | | | |
|-------------------|---|-----------------|----------------|---------------------|----------------------|-------------------|-----------------|
| Cap Twin 71"x102" | Twin 64"x90" | Twin 64"x96" | Twin 75"x120" | Twin XL 39"x80"x15" | Twin XL Fits 39"x80" | (24) Std 20"x26" | Full/Qn 74"x24" |
| Twin 81"x110" | Full/Qn 86"x90" | Full/Qn 86"x96" | Full 93"x120" | Full XL 54"x80"x15" | Full XL Fits 54"x80" | (24) Qn 20"x30" | King 92"x24" |
| Full 96"x116" | King 102"x90" | King 102"x96" | Queen 99"x120" | Queen 60"x80"x15" | Queen Fits 60"x80" | (20) King 20"x36" | |
| Queen 100"x118" | *You have the added option of choosing different fabrics for the face and the back. | | King 117"x120" | King 78"x80"x15" | King Fits 78"x80" | | |

Step 2: Choose your Fabric

| | | | | | | | | |
|-----------------------------------|--|--|------------------------------|----------------------|-----------------------------|-------------------|-------------|---------------|
| | | | | | | | | |
| Bennet Green | Bennet Tan | Finley Blue | Finley Terra Cotta | Oxidized Leaf | Blue | Green | Tan | Gold |
| | | | | | | | | |
| Circles & Stripes Aqua | Circles & Stripes Black/Gmy | Circles & Stripes Sapphire/Navy | Madeline Berry/Silver | Madeline Gold | Shells & Stripes | Lime Green | Navy | Silver |

Step 3: Place your Order!

CONTACT US AT
 800-782-7999 | www.starlinen.com | salesinfo@starlinen.com

Don't forget to ask about the Build-A-Bed web application, where you can virtually create and preview your own guest room!

privacy curtains

Many FR rated fabrics and colors available. Please call for colors, sizing and samples.



PRIVACY CUBICLE CURTAINS – FR RATED

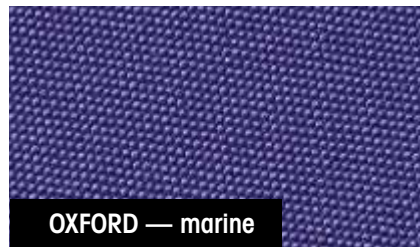
Two of our most popular styles – The Oxford & Windsor Collections. Preferred by healthcare facilities throughout the USA. Features 100% polyester construction and includes 20" of 1/2" open mesh at top. Inherently flame retardant.

We offer an extensive line of privacy curtains to meet all your health care requirements. A wide variety of designs, patterns and a rainbow of colors are available; all available in flame retardant fabrics, as well.

Custom draperies to coordinate with your curtain selections will add that touch of home to your rooms. Please ask how we can help you with all of your needs in regards to privacy curtains, custom draperies and more.

| Oxford Collection Color Options | | | |
|---------------------------------|---------|---------|--------|
| | | | |
| buff | chiffon | crimson | dune |
| | | | |
| fern | hunter | jade | marine |
| | | | |
| mocha | pacific | rose | white |

For sizes, samples, and special pricing please contact your Star Sales Associate.



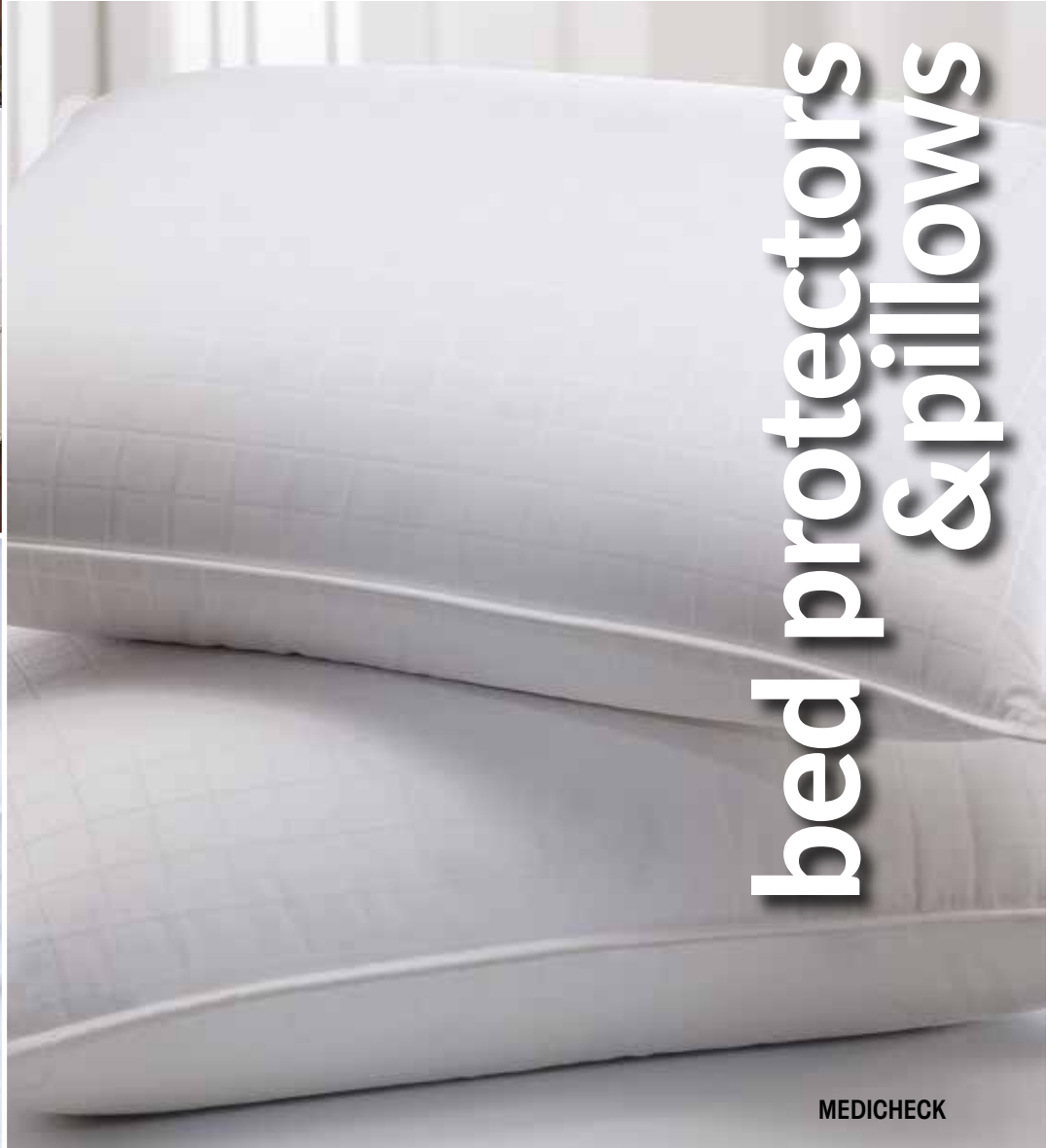
| Windsor Collection Color Options | | | |
|----------------------------------|----------|-----------|-----------|
| | | | |
| adobe | amethyst | chantilly | copen |
| | | | |
| crimson | dune | eggplant | everglade |
| | | | |
| forest | malt | marine | olive |



**STRETCH POLY
KNIT MATTRESS
PROTECTOR**



GOLD SLEEP



MEDICHEX

bed protectors & pillows

PILLOWS

MediCheck™ – Wipeable
The healthcare industry's preferred pillow.
No laundering non-slip finish. Wipes clean. Chemically treated vinyl cover. 18 oz. polyfill.

87111NC

Case pack – 12 each

Green Sleep

Packed with 20 oz. polyester fiberfill. Finished with 100% Nanotech Microfiber ticking. Durable and resilient.

87105NC

Case pack – 16 each

Gold Sleep

Machine washable, extra comfort, extended durability, filled with 22 oz. of polyester fiber. Finished with 100% Nanotech Microfiber ticking.

87106NC

Case pack – 16 each

Platinum Sleep

An unprecedented 26 oz. of polyester enclosed in a 100% Nanotech Microfiber ticking.

87132NC

Case pack – 16 each

VINYL MATTRESS PROTECTORS

Vinyl – 3 gauge for economy and protection

Contoured

91366NC 39 x 75 x 9

91362NC 36 x 80 x 9

Zippered

91354NC 39 x 75 x 9

91352NC 36 x 80 x 9

VINYL – 6 gauge for extra durability

Contoured

91364NC 39 x 75 x 9

91372NC 36 x 80 x 9

Zippered

91354NC 39 x 75 x 9

91371NC 36 x 80 x 9

VINYL PILLOW PROTECTORS

Vinyl – 3 gauge

Wipes clean, with plastic zipper to prevent

rusting. Super value!

99400NC

WATERPROOF MATTRESS PAD

Seamless construction, whipstitched edges, antibacterial, machine washable. Flat available.

Anchor Band Style

91326AB 39 x 75

90995AB 36 x 80

Fitted Style

80214FD 39 x 75

91331FD 36 x 80

BED BUG PROTECTORS

6 gauge zippered mattress protector – Economy
Waterproof, heavy weight vinyl, fire retardant,
zippered covers

Twin

91354NC 39 x 75 x 9

Hospital Twin

91371NC 36 x 80 x 9

Pillow Case

99399NC 21 x 27

Mattress covers packed 6 each per case

Pillow covers packed 6 pair per case

Stretch poly knit zippered mattress protector – Deluxe
Zip n' stick-patent pending tape closure, dust allergen
proof, waterproof and fire retardant, internal flap.

Twin

91154NC 39 x 75 x 9

91188NC 39 x 75 x 12

Pillow Case

72804WH 21 x 27

Mattress covers packed 6 each per case

Pillow covers packed 6 pair per case

incontinence

UNDERPAD

QUILTED UNDERPADS — Reusable

IBEX - Withstands 200-300 washings. Provides all the comfort of birdseye with the added absorbency.
 23103PN pink 34 x 36 8 oz.
 23102GN green 34 x 36 10 oz.

PLAID IBEX — 60/40 cotton/poly blend 6oz soaker. Waterproof Vintex backing for maximum comfort.
 23108NC 34 x 36 6 oz.

ECONOPAD — 50/50 poly/cotton face Absorbent 6 oz. polyrayon soaker.
 23100GT gray 34 x 36 6 oz.

BONDED UNDERPAD
 Brushed poly both sides.
 23099BL reversible blue/green 34 x 36 7 oz.

BRUSHED POLY UNDERPAD
 100% polyester, 8oz soaker.
 23118TN tan 34 x 36 8 oz.

BIRDSEYE
 100% Birdseye cotton face. Wicks moisture away from the skin.

23101BF blue 32 x 34 6 oz.
 23104PN pink 34 x 36 8 oz.

LINEN SAVER — 100% cotton birdseye pad
 23105PN 36 x 42 6 oz.

WHEELCHAIR PAD
 99542WH 18 x 24 8 oz.

All underpads listed, case pack — 2 dozen

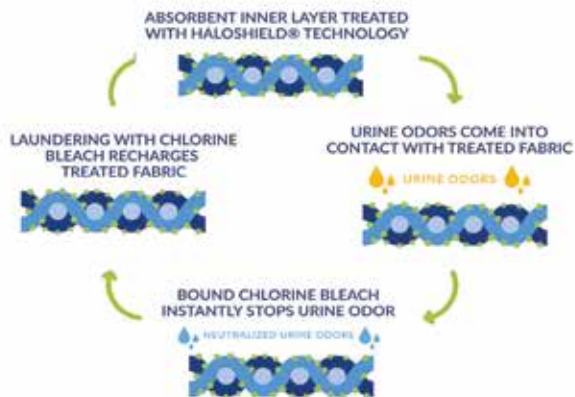


STOPS URINE ODOR...IN SECONDS



A fresh solution to the problem of urine odor.

- Haloshield® reusable underpads and adult briefs are a major development in antimicrobial protection that stops unpleasant, embarrassing urine odors at the source.
- Developed by PhD scientists with over 20 years of research, the proven and patented urine odor-killing power of our suite of washable incontinence products is renewed with every wash in regular chlorine bleach.





**DIGNITY NAPKIN
WITH SNAP CLOSURE**



**PLAID BIB
WITH VELCRO**



clothing protectors

TERRY BIBS – Value Collection

Blended and absorbent with easy to use hook and loop closures.

| | | |
|----------------|---------|--|
| White | | |
| 95326WH | 18 x 30 | |
| 95310WH | 18 x 36 | |
| Blue | | |
| 95326BF | 18 x 30 | |
| Pastel Stripe* | | |
| 99615ZE | 18 x 34 | |

*Available with ties also
Case pack – 6 dozen

TERRY BIB with barrier

All cotton terry front with waterproof vinyl barrier which is 12" x 18" for extended coverage. Hook and loop closure. Available in white.

| | |
|---------|---------|
| 99464WH | 18 x 30 |
| 99406WH | 18 x 34 |

Case pack – 6 dozen

TERRY BIB – PLAID W/ VELCRO

| | | |
|---------|---------|------------|
| 99698BF | 18 x 34 | plaid back |
|---------|---------|------------|

Case pack – 6 dozen

SIERRA STRIPE EZ TIE by Cotton Craft

| | |
|---------|---------|
| 99608RC | 18 x 34 |
|---------|---------|

Case pack – 6 dozen

CANDY STRIPE BIB BY BECKS

| | | |
|---------|---------|--------|
| 99457ZF | 18 x 34 | snaps |
| 99581ZF | 18 x 34 | velcro |

Case pack – 6 dozen

TERRY TIE BIB

Loop it through and snug it up to fit. Easy release, heavy weight, 100% cotton loop knit terry with bias binding.

| | | |
|---------|---------|-------|
| 95325WH | 20 x 36 | white |
| 99608BF | 18 x 34 | blue |
| 99608WH | 18 x 34 | white |

Case pack – 6 dozen

STAINFIGHTER CLOTHING PROTECTOR BIB

80/20 IBEX facing Vintex vinyl barrier.

| | | |
|---------|---------|----------|
| 99452NC | 22 x 33 | w/snaps |
| 99601NC | 18 x 34 | w/velcro |

Case pack – 6 dozen

DIGNITY NAPKIN

Perfect for use in assisted living facilities. Made in your choice of fabrics and sold by the dozen. Easy to fasten with velcro or snap closures.

| | | |
|---------|---------|----------------|
| 22237RC | 28 x 30 | snap closure |
| 22606RC | 28 x 30 | velcro closure |

BATH PONCHO

Durable 100% unbleached cotton ensures warmth and comfort. Lightweight construction slips over the head and offers ample movement.

| | | |
|---------|---------|-------|
| 95320NC | 70 x 90 | white |
|---------|---------|-------|

Custom sizes available on request.

**THE STAR
ASSURANCE PROGRAM**

**Lowest Price • Good Quality
Quickest Service**

staff apparel & scrubs



PATIENT GOWNS

ECONOMY GOWN

Standard 50/50 blended poly/cotton print with center back tie. 63" sweep.

95305WH

HEAVYWEIGHT TWILL GOWN

Durable blended poly/cotton twill in classic

9943WH

TWILL PATIENT GOWN

95389NC

TWILL PATIENT GOWN
ANGLE BACK 8"

UNISEX SCRUB APPAREL by Superior

DRAWCORD SCRUB PANTS

Cotton /poly fashion blend, reversible, right hip pocket on both sides, drawcord closure with easy glide color-coded webbing.

Teal

Sizes: XS-XL (2XL-5XL extra charge)

SET-IN SLEEVE SCRUB SHIRT

Cotton/poly fashion blend, reversible, color-coded neck binding, left breast pocket on both sides.

Ciel blue

Misty

Navy

Jade

Sizes: XS-XL (2XL - 5XL extra charge)

Available in additional colors

DRAWCORD SCRUB PANTS

Cotton/poly fashion blend, reversible, right hip pocket on both sides, drawcord closure.

Ciel blue

Navy

White

Jade

Misty

Sizes: XS - XL (2XL, 3XL extra charge)

Available in additional colors

UNISEX SCRUB APPAREL (cont.)

SCRUB SHIRTS

Classic design cap sleeve, reversible with breast pocket, in durable 50/50 poly/cotton blend.

51001RC S - XL

SCRUB PANTS

Drawstring waist, reversible with right hip pockets on both sides in 50/50 blend.

51000LB S - XL

Colors: white, jade, navy, burgundy, rose

OPTICS FULL SIZE GOWN by Superior

Fits up to 3XL,
angle back.
51" length,
6" sleeve,
63" sweep.
719 / 717
Case pack
- 24 each
Colors:
blue, sage





staff apparel & scrubs

STAFF APPAREL by Superior

UNISEX WARM-UPS

65/35 fashion poplin, raglan sleeves, two lower pockets, snap front closure, coordinating knit cuffs, scissor holder in right pocket.

White

UNISEX WARM-UPS

Cotton /poly fashion blend, snap front closure, two lower pockets, scissor holder in right pocket, raglan sleeves, coordinating knit cuffs.

Ciel blue

Navy

Sizes: XS - XL (2XL - 5XL extra charge)

BARRIER FRONT UNISEX PRECAUTION GOWNS

42 1/2" length, 55 1/2" sweep, white knit cuffs, front and sleeves made of single-ply fluid resistant barrier fabric, back made of yellow poly/cotton blend fabric, two sets of tie closures.

Yellow

Size: Large

UNISEX PROTECTIVE COAT

with "Hook & Loop" Closure @ Snap

No breast pocket, front and sleeves made of single-ply fluid resistant barrier fabric, back made of poly/cotton blend, concealed placket front with snap closure, throat-guard collar with hook and loop closure, two lower pockets, back vent, knit cuffs.

White

Sizes XS - XL (2XL, 3XL extra charge)

STAFF APPAREL by Superior (cont.)

UNISEX PROTECTIVE COAT

with snap closure at neck

Front and sleeves made of single-ply fluid-resistant barrier fabric, back made of poly/cotton blend, concealed placket front with snap closure, throat-guard collar with adjustable snap closure, back vent, knit cuffs

White

Ciel blue

Navy

Sizes: XS-XL (2XL, 3XL extra charge)

Available in additional colors

MEN'S STAFF LENGTH LAB COAT

65% polyester/35% combed cotton fine line twill, stitched down back belt

White

Sizes: 32-50 (52 - 56 extra charge)

UNISEX LAB COAT

65% polyester / 35% combed cotton poplin, 41" length based on size medium, button front, left breast pocket, two lower oversized outside pockets.

White

Sizes: XS- XL (2XL, 3XL extra charge)

laundry bags and carts



LAUNDRY BAGS - Available in most popular sizes, closures (including ropeless) and fabrics including cotton duck and nylon polyester.



HAMPER BAGS - Available in most popular sizes, closures (including ropeless) and fabrics including cotton duck and nylon polyester.



MESH BAGS - Our polyester mesh laundry bags are available in all popular sizes, colors and closures and can feature an optional ID patch for easy resident identification.

MESH LAUNDRY BAGS WITH DRAWCORD*

18 x 24
18 x 30
24 x 36
30 x 40

MESH LAUNDRY BAGS WITH DUAL GRIP RUBBER CLOSURE*

18 x 24
18 x 30
24 x 36
30 x 40

MESH LAUNDRY BAG WITH NYLON ZIPPER CLOSURE*

18 x 24
18 x 30
24 x 36
30 x 40

ROPELESS HAMPER BAGS*

18 x 24
18 x 30
24 x 36
30 x 40

FLUID RESISTANT LAUNDRY BAGS*

40 x 40 25" Drawcord
40 x 43 24" Ropeless

MESH BAG CLOSURE OPTIONS*



OTHER BAG STYLES AVAILABLE

- Hamper/laundry bags
- Drawcord hamper bags
- Polyester mesh bags
- Caddy bag
- Fluid resistant bags
- Janitorial bags
- Personal belonging bags

*CALL FOR AVAILABLE OPTIONS & COLORS



CART COVERS* - Custom covers are available in any size and in most standard colors and fabrics including fire retardant staph-cek or vinyl with closures of Velcro or zipper.

CART COVERS

We make cart cover buying easy. Pre-production samples available to ensure a perfect fit. Buy direct and save!

Here's How To Order:
Simply fill out the information below and call us at 800-782-7999 for your special pricing.

SIZE:
Width (front to back): _____

Length (left to right): _____

Height: _____
(top to bottom not including casters)

COLOR: _____

MATERIAL:

- 200 Denier Nylon
- Staph Chek®
- 200 Denier Flame Resistant Nylon
- 400 Denier Nylon
- 10 Gauge Clear Vinyl

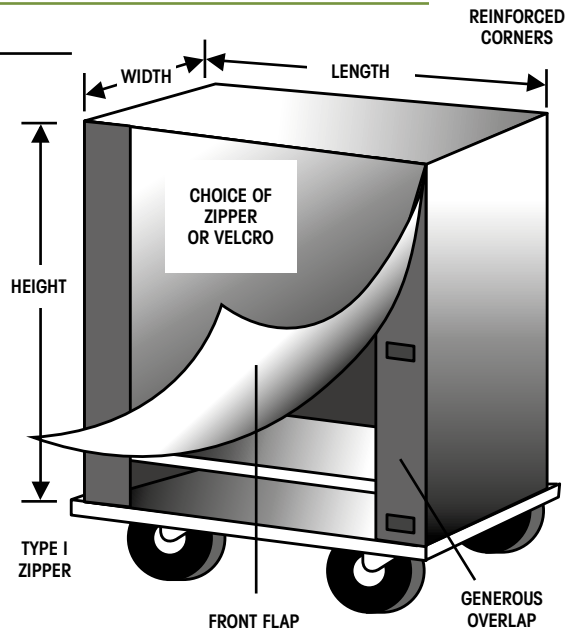
FLAP:

- Length (standard) no charge
- 2 Sides (25% additional)
- Width (specify) no charge
- No flap (box cover)

FLAP CLOSURE (included in price):

- Zippers, Type I
- Velcro, Type II
- Front flap, no closure, Type III

*For different sizes, contact your representative.



POLY TRUCKS

Heavy duty seamless trucks are ideal for handling laundry, textiles, chemicals and solid waste. Features include .200 nominal wall thickness and curled flanges, high impact resistant construction and 3" polyolefin casters, available in your choice of mounting patterns. Also available without base and casters.

| Bushel Size | Dimensions (L" x W" x D") | Weight lbs. |
|-------------|---------------------------|-------------|
| 6 | 29 x 19 x 20 | 27 |
| 8 | 34 x 21 x 23 | 30 |
| 10 | 35 x 23 x 25 | 32½ |
| 12 | 35 x 23 x 27 | 34 |
| 14 | 39 x 27 x 27 | 35½ |
| 16 | 39 x 27 x 30 | 37 |
| 18 | 41 x 29 x 30 | 37 |
| 20 | 47 x 31 x 31 | 38 |

Also available with permanent and removable vinyl and canvas liners.

PORTABLE HAMPER STANDS (not pictured)

ADJUSTABLE HAMPER STAND

Hamper stand adjust to any size bag 18" - 25."

ROUND HAMPER STANDS

Chrome plated, tubular steel frame with stainless steel cover that closes automatically.

FOLDING HAMPER STANDS

Chrome plated, 1" steel tubing. Ball bearing casters for smooth free gliding. Folds to compact 6" for easy storage. Available in 18" or 25" diameter.

POLY BULK DELIVERY TRUCK

Heavy duty plastic construction. Transports soiled linen. Available in ten colors with wide range of caster arrangements.

| Overall Size (W" x L" x H") | Description |
|-----------------------------|-------------|
| 28½ x 48 x 54½ | no doors |
| 28½ x 48 x 54½ | with doors |
| 28½ x 47 x 66½ | no doors |
| 28½ x 47 x 66½ | with doors |
| 36½ x 48 x 66½ | no doors |
| 42 x 60 x 48 | no doors |
| 42 x 72 x 55 | no doors |

ELEVATED SPRING PLATFORM (not pictured)

| Bushel Capacity | No. of Springs |
|-----------------|----------------|
| 6 | 4 |
| 8 | 4 |
| 10 | 4 |
| 12 | 4 |
| 14 | 6 |
| 16 | 6 |
| 18 | 6 |
| 20 | 6 |

Available for poly truck or canvas/vinyl.

HEAVY DUTY HAMPER BASKET TRUCK with sewn liner

| Bushel Size | Dimensions (L" x W" x H") | Weight lbs. |
|-------------|---------------------------|-------------|
| 6 | 30 x 20 x 20½ | 30 |
| 8 | 34 x 22 x 23 | 31 |
| 10 | 36 x 24 x 25 | 36 |
| 12 | 36 x 26 x 27½ | 44 |
| 14 | 40 x 28 x 27½ | 54 |
| 16 | 40 x 28 x 30 | 56 |
| 18 | 42 x 30 x 30 | 58 |
| 20 | 48 x 32 x 30 | 62 |
| 24 | 54 x 34 x 30 | 78 |

Available in cotton duck or reinforced vinyl.

BASKET TRUCKS with permanent liner (not pictured)

| Bushel Size | Size (L" x W" x D") | Weight lbs. |
|-------------|---------------------|-------------|
| 4 | 26 x 18 x 18 | 24 |
| 6 | 30 x 20 x 20 | 26½ |
| 8 | 34 x 22 x 23 | 29 |
| 10 | 36 x 24 x 25 | 31 |
| 12 | 36 x 26 x 27 | 33½ |
| 14 | 40 x 28 x 27½ | 33½ |
| 16 | 40 x 28 x 30 | 36 |
| 18 | 42 x 30 x 30 | 36 |
| 20 | 48 x 32 x 30 | 36 |

dietary linens & chefware



BLENDED MOMIE

BLENDED MOMIE 50/50 blend

50/50 blend, no iron with dual stain release finish as well as Scotchguard. Stain release treatment prevents penetration of the toughest food stains. Mildew resistant and will not lint.

| | |
|-------------|----------|
| Napkins | |
| 22142XX | 17 x 17 |
| 22143X | 20 x 20 |
| 22298XX | 22 x 22 |
| Tablecloths | |
| 22144XX | 45 x 45 |
| 22145XX | 54 x 54 |
| 22146XX | 54 x 90 |
| 22147XX | 54 x 96 |
| 22148XX | 54 x 110 |
| 22149XX | 54 x 120 |
| 22150XX | 64 x 64 |
| 22151XX | 81 x 81 |
| 22152XX | 90 x 90 |

| | |
|-------------------|------|
| Round Tablecloths | |
| 22153XX | 81" |
| 22154XX | 90" |
| 22155XX | 120" |
| 22360XX | 132" |

Case pack — tablecloths 1 doz., napkins 6 doz.

Standard I Colors: french vanilla, ivory, mauve, misty rose, new pink, royal blue, reef blue, sandalwood, sea foam green

Standard II Colors: black, hunter green, gold, medallion blue, navy, new burgundy, red and red country charm.



ELEGANCE — 100% spun polyester

The ultimate in polyester table linen. Woven with Murater fit polyester at a weight of 7.2 ounces per sq. yard. This table linen gives you the perfect weight for table coverage. It also provides soft cotton-like hand and is available in a variety of colors. It is stain release, piling resistant and has excellent color retention. See below for quick ship program.

| | |
|-------------|----------|
| Napkins | |
| 22168XX | 20 x 20 |
| Tablecloths | |
| 22119XX | 42 x 42 |
| 22229XX | 54 x 54 |
| 22877XX | 54 x 114 |
| 22393XX | 54 x 120 |
| 22379XX | 64 x 64 |
| 22532XX | 72 x 72 |
| 22306XX | 85 x 85 |
| 22531XX | 90 x 90 |

| | |
|-------------------|------|
| Round Tablecloths | |
| 22684XX | 64" |
| 22120XX | 72" |
| 20088XX | 80" |
| 22211XX | 90" |
| 20269XX | 110" |
| 22780XX | 120" |
| 22604XX | 132" |

Standard I Colors: french vanilla, ivory, mauve, misty rose, new pink, royal blue, reef blue, sandalwood, sea foam green

Standard II Colors: black, hunter green, gold, medallion blue, navy and new burgundy

If your preferred size is not listed above, please call your sales associate.



SAVANNAH SATIN BAND

Durable blend of 50% cotton and 50% polyester is the standard of the hospitality industry. This product is fully mercerized and vat dyed to give the most luxurious colors and soft hand.

| | |
|-------------|----------|
| Napkins | |
| 22179XX | 20 x 20 |
| 22180XX | 22 x 22 |
| Tablecloths | |
| 22182XX | 54 x 54 |
| 22183XX | 54 x 96 |
| 22184XX | 54 x 120 |
| 22185XX | 64 x 120 |
| 22186XX | 64 x 64 |
| 22187XX | 72 x 72 |
| 22188XX | 81 x 81 |
| 22189XX | 90 x 90 |

Case pack — tablecloths 1 doz., napkins 6 doz.

Standard I Colors: french vanilla, ivory, mauve, misty rose, new pink, royal blue, reef blue, sandalwood, sea foam green

Standard II Colors: black, hunter green, gold, medallion blue, navy, new burgundy, red and red country charm.

DIGNITY NAPKIN

Perfect for use in assisted living facilities. Made in your choice of fabrics and sold by the dozen. Easy to fasten with velcro or snap closures.

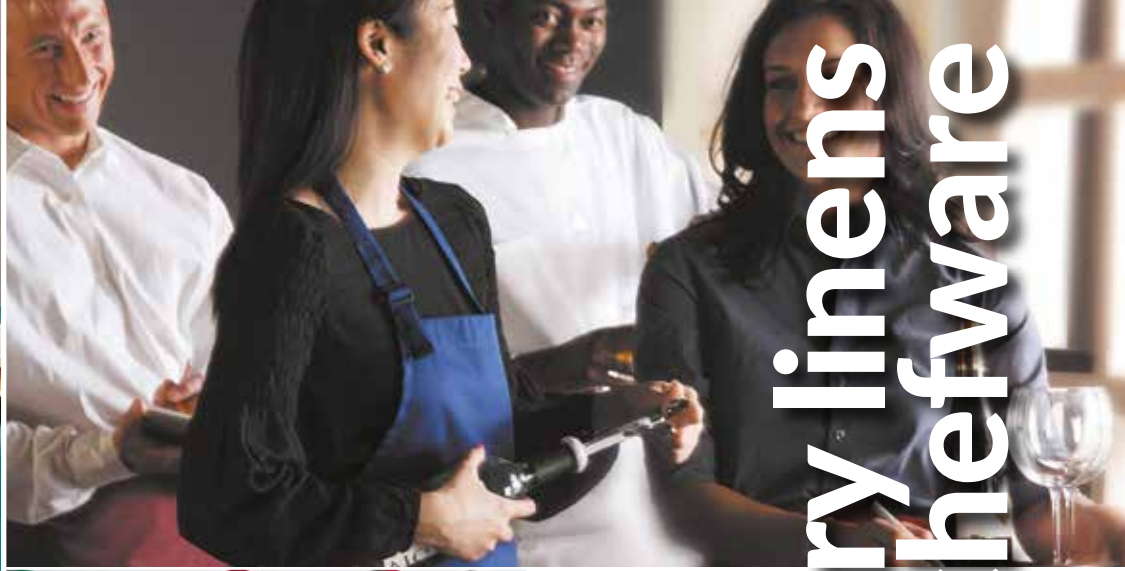
| | | |
|---------|---------|----------------|
| 22237RC | 28 x 30 | snap closure |
| 22260RC | 28 x 30 | velcro closure |



ELEGANCE



ELEGANCE



dietary linens & chefware



BIB APRON



CHEF PANTS

PLACEMATS – Permalux and Damask

Cotton blend momie, 2-ply bonded with mitered corners, available in same colors as Permalux tablecloths.

| | | |
|---------|---------|----------|
| 22156XX | 12 x 17 | Permalux |
| 22179XX | 12 x 17 | Damask |

Case pack – 3 doz.

Permalux Colors : black, french vanilla, hunter green, new burgundy, sandalwood, seafoam, reef blue

Damask Colors: white, ivory, burgundy, forest green, royal blue

DIGNITY NAPKIN

Perfect for use in assisted living facilities. Made in your choice of fabrics and sold by the dozen. Easy to fasten with velcro or snap closures.

| | | |
|---------|---------|----------------|
| 22606RC | 28 x 30 | velcro closure |
|---------|---------|----------------|

TABLE SKIRTING

Available in a variety of designer fabrics in a wide spectrum of colors and all attachment methods available. Machine washable/dryable for easy care, and durably flame retardant for safety.

TRADITIONAL KITCHEN SHIRTS

KITCHEN SHIRT – WHITE (pictured above)
The easy care 65% polyester/35% cotton twill fabric is machine washable with a permanent press finish so it stays neat and smooth.

White

Sizes: M – 3XL

*Also available in kitchen shirt basic and 2 Inch longer kitchen basic shirt.

BAKERS SHIRT – WHITE (not pictured)
Soft and comfortable with a V-neck pullover collar, this shirt has straight tails that can be worn in and out.

White

Sizes: S – 4XL

MICRO FIBER ALL PURPOSE RAGS

Durable, versatile (from dusting to heavy cleaning) and more absorbent which makes greener cleaning more productive.

| | | |
|---------|-------------|-----------|
| 88537RC | micro fiber | 12 ea/cs. |
|---------|-------------|-----------|

* Also available in mop heads and dust pads.



BIB APRON

Blended duck fabric. 34 x 36.

25146WH

Color: white

TRADITIONAL CHEF PANTS

65/35 cotton/poly twill, zipper fly, snap waist closure, two hip pockets, two back pockets.

| | |
|---------|-----------|
| 24004XX | white |
| 24004XX | black |
| 24004XX | checkered |

Sizes: XS (26-28), S (30-32), M (34-36), L (38-40). Upcharge for oversize XL to 6XL.

**Many other items
and options available.
Please contact your Star
Sales Associate.**

disposables



**ATTENTION
DISPOSABLE BUYERS —**
New low prices available
on all can liners
and bathroom tissue.
COMPARE AND SAVE!

ECONOMY TOILET TISSUE



TRASH LINER



LUX TOILET TISSUES



DISPOSABLE GLOVES

PAPER SUPPLIES

| | Boxes/ Case | Sheets/ Roll |
|----------------------|----------------|-----------------|
| Toilet Tissue- 2-ply | | |
| 90542NC deluxe | 96 | 500 |
| 90548NC economy | 96 | 500 |
| Facial Tissue | | |
| 90538NC | 36 | 85 |
| 90503NC | 30 | 100 |
| Household rolls | | |
| 88463NC 2-ply | 30 | |

TRASH LINERS

Coreless high density rolls. Rolls can be placed on maid cart or in bottom of garbage can for convenient access.

| | | Case Pack |
|---------|---------|--------------|
| 88500CC | 24 x 24 | 1000 |
| 88511CC | 24 x 33 | 1000 |
| 88510CC | 33 x 40 | 500 |
| 88512CC | 40 x 48 | 250 |
| 88501CC | 38 x 60 | 200 |

ADULT WIPES

Hypo allergenic, alcohol-free, and premoistened. Unscented, soft and durable with aloe vera. 12 packs of 48 per case.

| | |
|---------------------|--------|
| 99543NC | 9 x 13 |
| Case pack — 2 dozen | |

DISPOSABLE DRY WASH CLOTHS

Spun lace with 1/4 fold.

| | | | |
|---------|---------|-------|------|
| 99582WH | 9 x 13 | White | 800 |
| 99585WH | 12 x 13 | White | 1000 |

DISPOSABLE GLOVES

LATEX GLOVES, PRE-POWDERED

Fits either hand tightly for excellent dexterity. For food service, housekeeping, manufacturing or any non-medical application. Rolled cuff, natural color. 5 mil thick. 100 gloves per box. 10 boxes per case.

| | |
|---------|---------|
| 88502NC | Small |
| 88503NC | Medium |
| 88504NC | Large |
| 88505NC | X-Large |

LATEX GLOVES, POWDER FREE

| | |
|---------|---------|
| 88520NC | Small |
| 88521NC | Medium |
| 88522NC | Large |
| 88524NC | X-Large |

VINYL GLOVES, GENERAL PURPOSE
ALSO AVAILABLE.

DISPOSABLE SLIPPERS

Nonskid slipper, disposable, perfect for short visits. Nonskid back, polyurethane foam. Adult — one size. 72 pairs to case.

26123WH

Other products available upon request - contact a Star Sales Associate for details!





PROUDLY CELEBRATING OVER 35 YEARS OF EXCELLENCE

CONTACT US TODAY

800-782-7999 • salesinfo@starlinen.com • www.starlinen.com • [@StarLinenUSA](https://www.instagram.com/StarLinenUSA)